



YOU'RE INVITED TO

*Take Your*  
**SEAT**



Our Take-Your-Seat Campaign  
is designed to provide new  
theatre seats in 2024!

.....  
**Be a part of it!**  
.....

It's been 30 years and the time has come to replace our theatre seats. Why not leave your mark?!

---

Our Take-Your-Seat campaign gives you the opportunity to sponsor a seat in our historic theatre for decades to come. An engraved plaque will be prominently placed on the seat to honor or memorialize someone special for the lifetime of the seat. A seat can be named for:

- An individual, couple or family
- A business or organization.

**Don't wait! We expect seats to sell fast!**

- There is a limit of 2 seats per family
  - Available on a "first come first served" basis
  - Seats will be randomly assigned with pairs given first consideration to be placed together when possible
- 

Our sample seat will be on display in the theatre lobby this season.

Come see and feel the difference!



# Order Form

## - YOUR DETAILS -

Name

Address

City

State

Zip

Contact Number

1 seat at \$500 or  2 seats at \$1000

I would like to make a donation to the campaign without dedicating a seat.

Donation amount:

---

## - PAYMENT DETAILS -

Check included, payable to Lyceum Theatre

Mastercard  Visa

Credit card number

Expiration date

Signature required for credit card payment

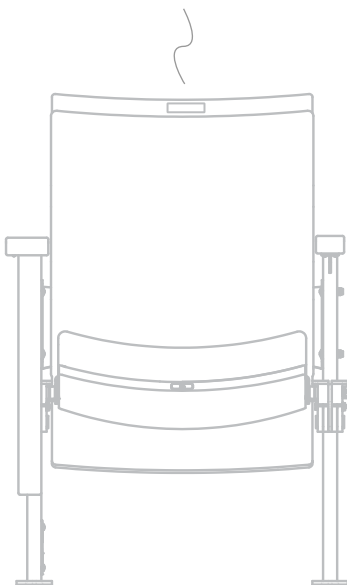


Please print how you would like  
each seat plaque to read:

Name 1

Name 2

○ Your Name Here ○



**For information or questions contact:**

Thresa Berkley

Director of Development

660-837-3311 ext. 6109